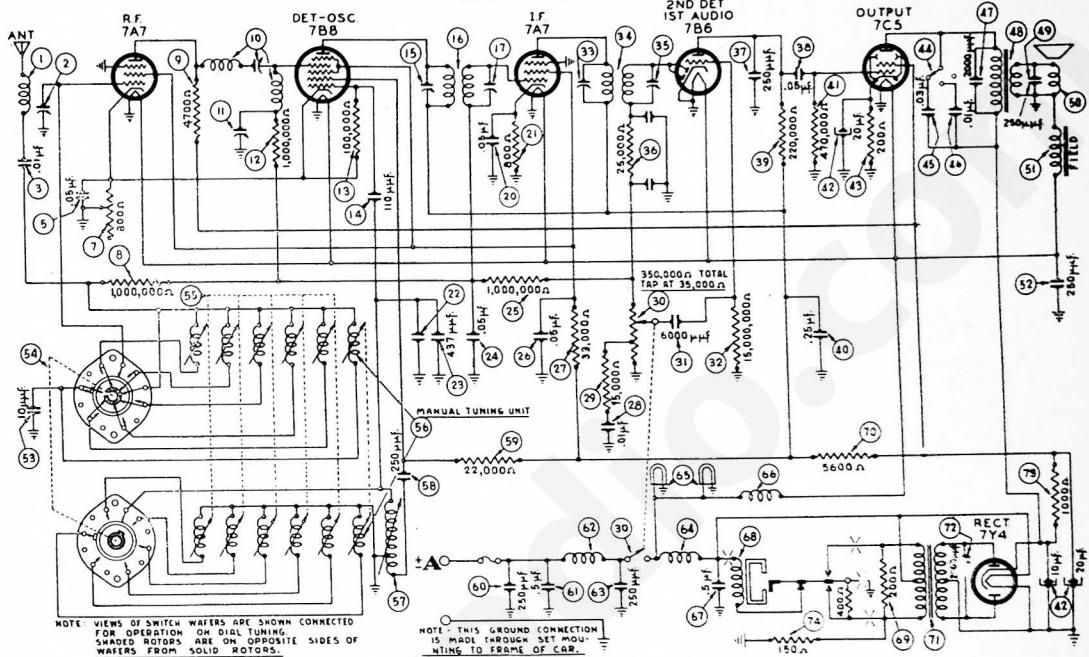


MODEL S-1726

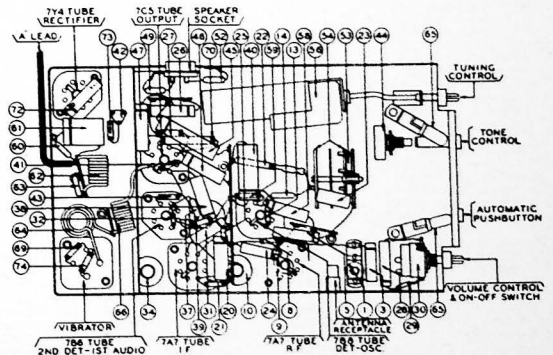
I.F. = 455 KC.



Aligning Procedure will be found on page 177.

PARTS LIST

No.	Description	Part No.	No.	Description	Part No.
1	Antenna Choke	65-0102	31	Resistor (470,000 ohms)	33-447154
2	Antenna Padder	63-0035	32	Filter Cond. (10-20-20 mfd.)	61-0089
3	Condenser (.05 mfd.)	61-0014	33	Resistor (200 ohms)	33-120334
4	Condenser (.05 mfd.)	61-0101	34	Tone Control Switch	85-0104
5	Sensitivity Control	67-0025	35	Condenser (.03 mfd.)	61-0126
6	Resistor (1,000,000 ohms)	33-510154	36	Condenser (.01 mfd.)	61-0124
7	Resistor (4700 ohms)	33-247154	37	Condenser (2000 mmfd.)	61-0123
8	R. F. Transformer	65-0276	38	Output Transformer	65-0277
9	I. F. Wave Trap Padder	33-510154	39	Condenser (250 mmfd.)	61-0033
10	Resistor (1,000,000 ohms)	33-510154	40	Replacement Cone	(For 73-0038-4 Speaker) 91-0101
11	Resistor (100,000 ohms)	33-410154	41	Field Coil	(For 73-0038-2 Speaker) 91-0102
12	Condenser (110 mmfd.)	30-1031	42	Condenser (250 mmfd.)	61-0033
13	Padder (Pri. 1st I. F. Trans.)	65-0274	43	Condenser (10 mmfd.)	61-0065
14	First I. F. Transformer	65-0274	44	Washer	318-1782
15	Padder (Sec. 1st I. F. Trans.)	65-0274	45	Push-Button Trans. Assy.	77-0412
16	Condenser (.05 mfd.)	61-0101	46	Inductive Tuning Unit	77-0469
17	Resistor (800 ohms)	33-180334	47	Oxyl. Tracking Coil	65-0270
18	Thermal Compensator	61-0080	48	Condenser (250 mmfd.)	61-0033
19	Sil. Mica Cond. (437 mmfd.)	61-0071	49	Resistor (22,000 ohms)	33-322334
20	Condenser (.05 mfd.)	61-0071	50	Condenser (250 mmfd.)	61-0033
21	Resistor (1,000,000 ohms)	33-510154	51	Condenser (.5 mfd.)	61-0106
22	Condenser (.05 mfd.)	61-0101	52	"A" Choke	32-1644
23	Resistor (33,000 ohms)	33-333434	53	Condenser (250 mmfd.)	61-0033
24	Condenser (.01 mfd.)	61-0110	54	Vibrator Choke	65-0075
25	Resistor (15,000 ohms)	33-315154	55	Pilot Lamps	34-2064
26	Volume Control (350,000 ohms)	61-0101	56	Filament Choke	32-1374
27	and On-Off Switch	67-0028	57	Condenser (.5 mfd.)	61-0107
28	Condenser (6000 mmfd.)	61-0103	58	Vibrator	83-0017
29	Resistor (15,000,000 ohms)	33-615154	59	Resistor (200 ohms)	33-120334
30	Padder (Pri. 2nd I. F. Trans.)	65-0275	60	Resistor (5600 ohms)	33-256154
31	Second I. F. Transformer	65-0275	61	Power Transformer	65-0272
32	Padder (Sec. 2nd I. F. Trans.)	65-0275	62	Condenser (2000 mmfd.)	61-0074
33	Resistor (25,000 ohms)	33-325334	63	Resistor (1000 ohms)	33-210434
34	Condenser (250 mmfd.)	61-0033	64	Resistor (150 ohms)	33-115334
35	Condenser (.05 mfd.)	61-0122	65	Push-Button	55-0729
36	Resistor (220,000 ohms)	33-422334			
37	Condenser (.25 mfd.)	61-0125			



No.	Description	Part No.	No.	Description	Part No.
55	Manual Knob	55-0746	73	Call Letter Kit	81-0203
56	Dial Cord	55-0776	74	Mounting Bracket	57-1042FA3
57	Manual Dial Tab	55-0824	75	Complete Speaker	73-0038
58	Station Indicator Tab	55-0905	76	Gland Nut Wrench	28-5434
59	Pointer	57-1087	77	Station Adjust. Screw Driver	57-1233
60	Push-Button Dial Assembly	77-0402	78	Dial Window	55-0777